

Changeover Valves

Type 06405 - Changeover Valve



Cryogenic Changeover Valves, brass

for the installation of two safety valves,
with indicator and two test connections G 1/4,
"cleaned and degreased for oxygen service"

Part No. 06405.0150.0000, DN15, PN40, metal to metal seated

Female thread connection (G) acc. to ISO 228/1

Part No. 06405.0150.6000, DN15, PN40, metal to metal seated

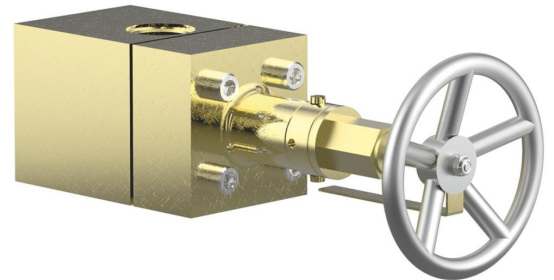
Female thread connection NPTF acc. to ANSI B 1.20.3

Part No. 06405.0250.0000, DN25, PN45, PTFE valve seal

Female thread connection (G) acc. to ISO 228/1

Part No. 06405.0250.6000, DN25, PN45, PTFE valve seal

Female thread connection NPTF acc. to ANSI B 1.20.3



Available options - on request only:

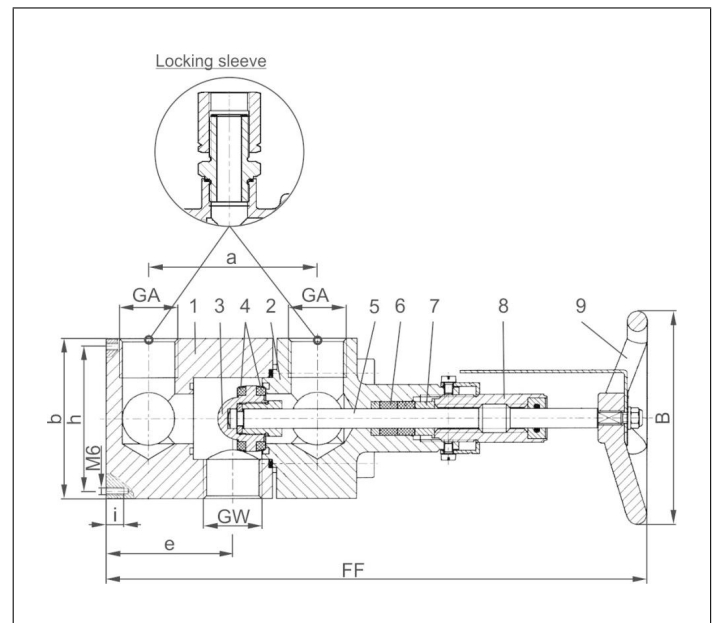
- Valve with bursting disc connections
- Outlet: GA with installed locking sleeve for easy positioning of safety valves
- Outlet: GA with thread 3/4"

Applications:

Approved for air gases, vapours and cryogenic liquefied gases incl. LNG.

Working temperature: -196°C / -321°F (77K) up to +185°C / +365°F (458K)

Materials	DIN EN	ASTM
1 Body I	CW509L	B 111 UNS C28000
2 Body II	CW509L	B 111 UNS C28000
3 Disc	1.4301	A 276 Grade 304
4 Valve seal DN25	PTFE	
5 Stem	1.4301	A 276 Grade 304
6 Gland packing	Graphite / PTFE	
7 Top ring	CW614N	B 283 UNS C38500
8 Gland nut DN15	CW710R	no reference
8 Gland nut DN25	CW614N	B 283 UNS C38500
9 Handwheel	Aluminium alloy	



Type 06405 - Standard design	Technical data		
Nominal size	DN	15	25
Dimension code	.X.	0150	0250
Inlet	GW	3/4	1
Outlet	GA	1/2	1
Face-to-face dimension	FF	240	310
Length	a	80	96
Length	b	65	90
Length	e	50	72
Length	h	55	80
Thread depth	i	12	12
Handwheel-Ø	B	100	120
Weight	ca. kg	4.1	9.5
Kvs - Value, one side open	m ³ /h	6.0	14.0
Cv - Value, one side open	gal /min	6.9	16.1
Kvs - Value, central position	m ³ /h	13.0	25.0
Cv - Value, central position	gal /min	15.0	28.9

Dimensions in mm.

Important:

The valves must be fixed at the provided threads M6.